



## TopLine

Safety and reliability right down the line



**TopLine** – safety you can rely on



Today, more than ever, strict hygiene standards are an absolute must in healthcare environments. Patient welfare and safety are a primary concern.

Getting care utensils hygienically clean every single time requires versatile technology that can adapt to changing conditions – and that’s where MEIKO’s clean solutions really excel. Our *TopLine* machines cater to patient’s individual needs and rise to the challenge of tackling any kind of infection risk.

What’s even more reassuring is that *TopLine* bedpan washer-disinfectors can be programmed to whatever  $A_0$  setting you want at any particular point in time – so you’re in control. Based on the recommendations of your infection control team, you can choose between  $A_0$  60,  $A_0$  600, and  $A_0$  3000 as the default setting, and you can modify this value whenever you need to.

Get the most hygienic and cost-effective results – with clean solutions made by MEIKO.

## Three steps to perfect cleanliness:



- 1** Choose the wash program based on the type of care utensils and the degree of soiling – press the button and keep it held down.



- 2** The display shows the available  $A_0$  settings:  $A_0$  60 /  $A_0$  600 /  $A_0$  3000. Release the button when the setting you want appears in the middle.



- 3** The program starts as soon as you release the button.

# TopLine – more than just technology

You're in safe hands with MEIKO *TopLine*. This cleaning and disinfection machine for medical devices offers top-notch safety and reliability right down the line. From effective reprocessing of care utensils to reliable, user-friendly operation, the *TopLine* range features impressive technology that ensures the safety of both patients and staff while complying with all the requirements of DIN EN ISO 15883. Check out some of the highlights of MEIKO technology – and discover the key benefits of our *TopLine* machines.

Type 'AA' air gap according to DIN EN 1717

MIKE 2 electronic control system

Proximity switch to operate door (optional)

Nozzle system for intensive cleaning

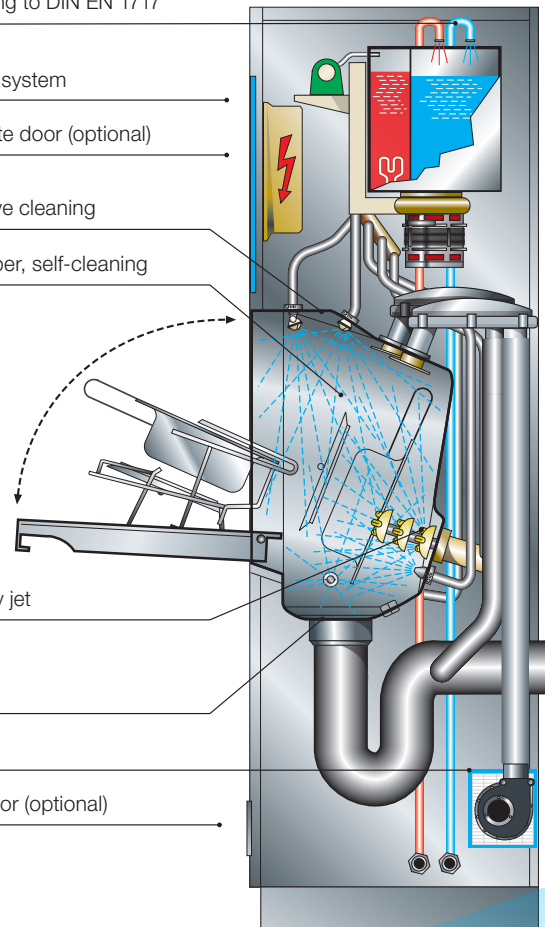
Deep-drawn wash chamber, self-cleaning

Powerful telescopic rotary jet

Siphon monitoring

HEPA filter (H13)

Foot switch to operate door (optional)



## Steam Stop

Optimises hygiene and safety with a design that ensures no steam escapes from the system.

## Power Clean

Gets every last spot of your care utensils hygienically clean with a powerful telescopic rotary jet and an optimised wash system that acts on all sides.

## Thermo Control

Takes reliable disinfection to the next level by offering patented control of the freely selectable\*  $A_0$  value, carefully monitored by temperature sensors which cross-check each other's readings.  
\* $A_0$  60,  $A_0$  600,  $A_0$  3000.



## Dry&Cool

Uses filtered air to dry and cool, producing hygienically clean care utensils that are cool to the touch.

## T.A.D.

The *Total Auto Disinfection (T.A.D.)* function disinfects all the water pipes in the machine after each completed wash cycle to avoid the risk of re-contamination.

## Chem Code

Uses a unique suction lance coding system to eliminate the risk of mixing up rinse aid and detergent and to ensure a validated process.

## Ca<sup>20</sup> Stop

Guarantees high operating reliability by using sensors to monitor dosing of the detergent and of the softener/ rinse aid mix.

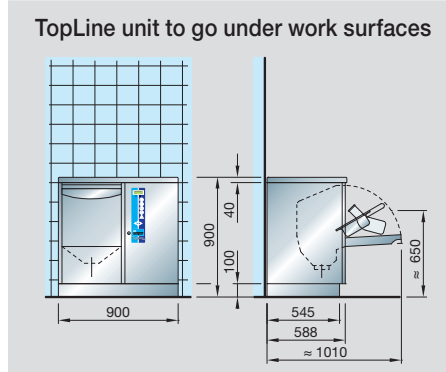
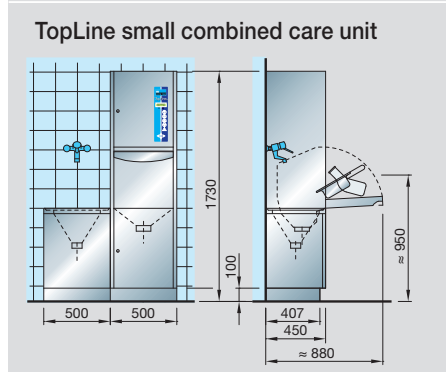
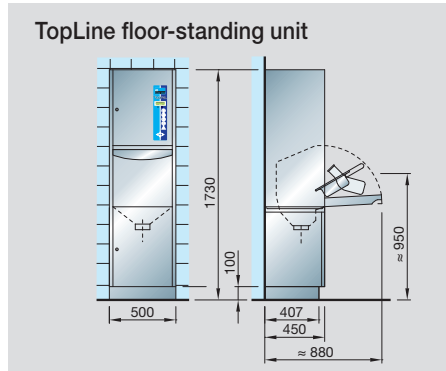
MEIKO *TopLine* machines come in a variety of different configurations, so there's something to suit every dirty utility room. As well as individual floor-standing and wall-mounted appliances, the *TopLine* range also features units designed specifically for patients' bathrooms, handy units that fit under work surfaces, and compact combined care units. So you can choose the tailor-made solution that meets your needs! Check out the latest MEIKO *TopLine* product brochure to find out more.



**TopLine 10**  
For off-the-floor wall mounting. Basic model. Compact and ready to connect.



**TopLine 20**  
Small care unit consisting of *TopLine 20* with plinth and matching slop sink (optional).



**SAN 14 B**  
Compact care unit consisting of *TopLine 40* slop sink, hand wash basin and storage surface. Includes splash guard and upstand.



**SAN 20 W**  
Care unit with 600 mm cupboard space. Consists of *TopLine 40*, slop sink, wash-basin and storage surface. Includes splash guard and upstand.

The MEIKO team will be more than happy to help you find the clean solution that meets the specific hygiene standards required in your workplace. Just give us a call!

